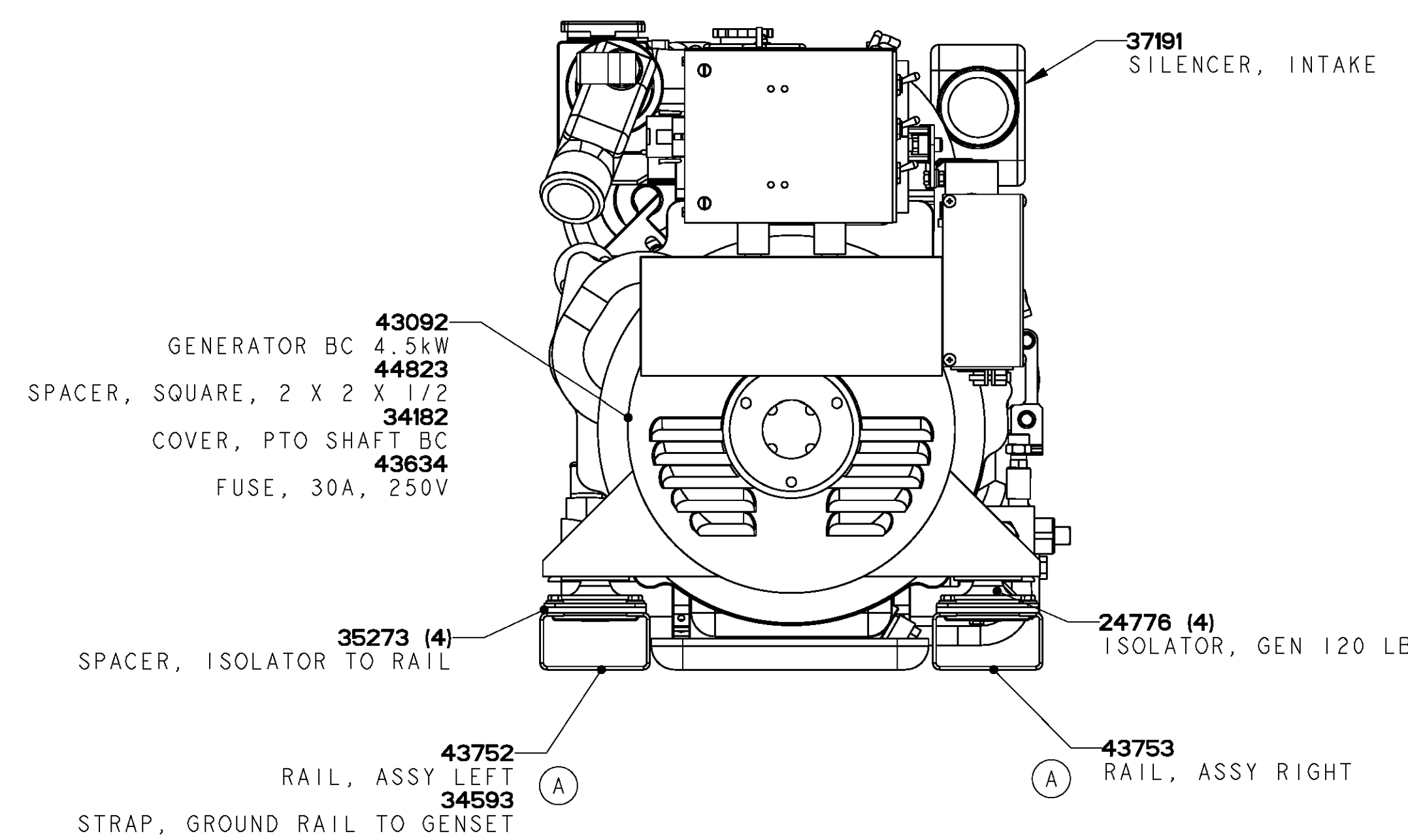
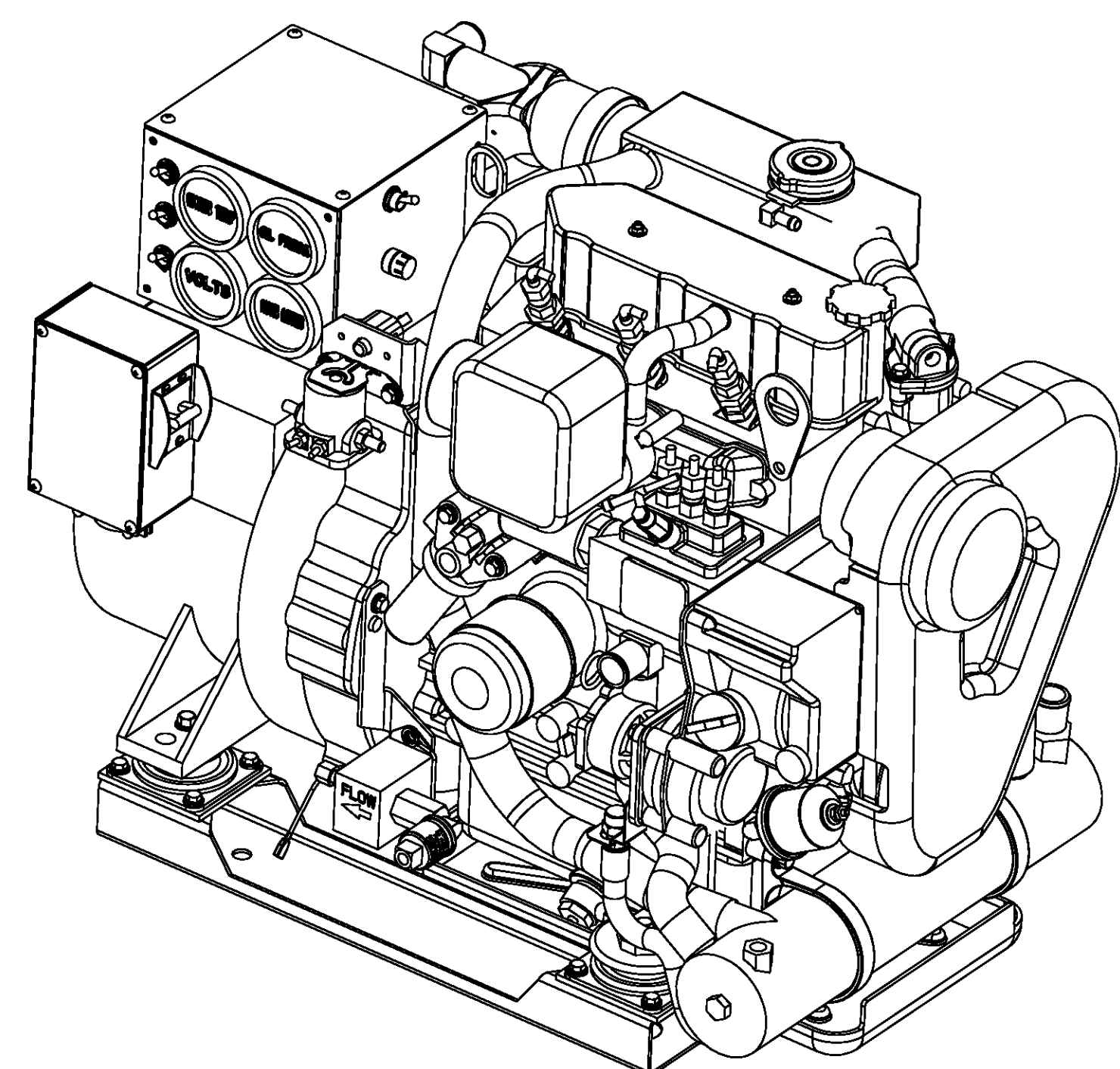
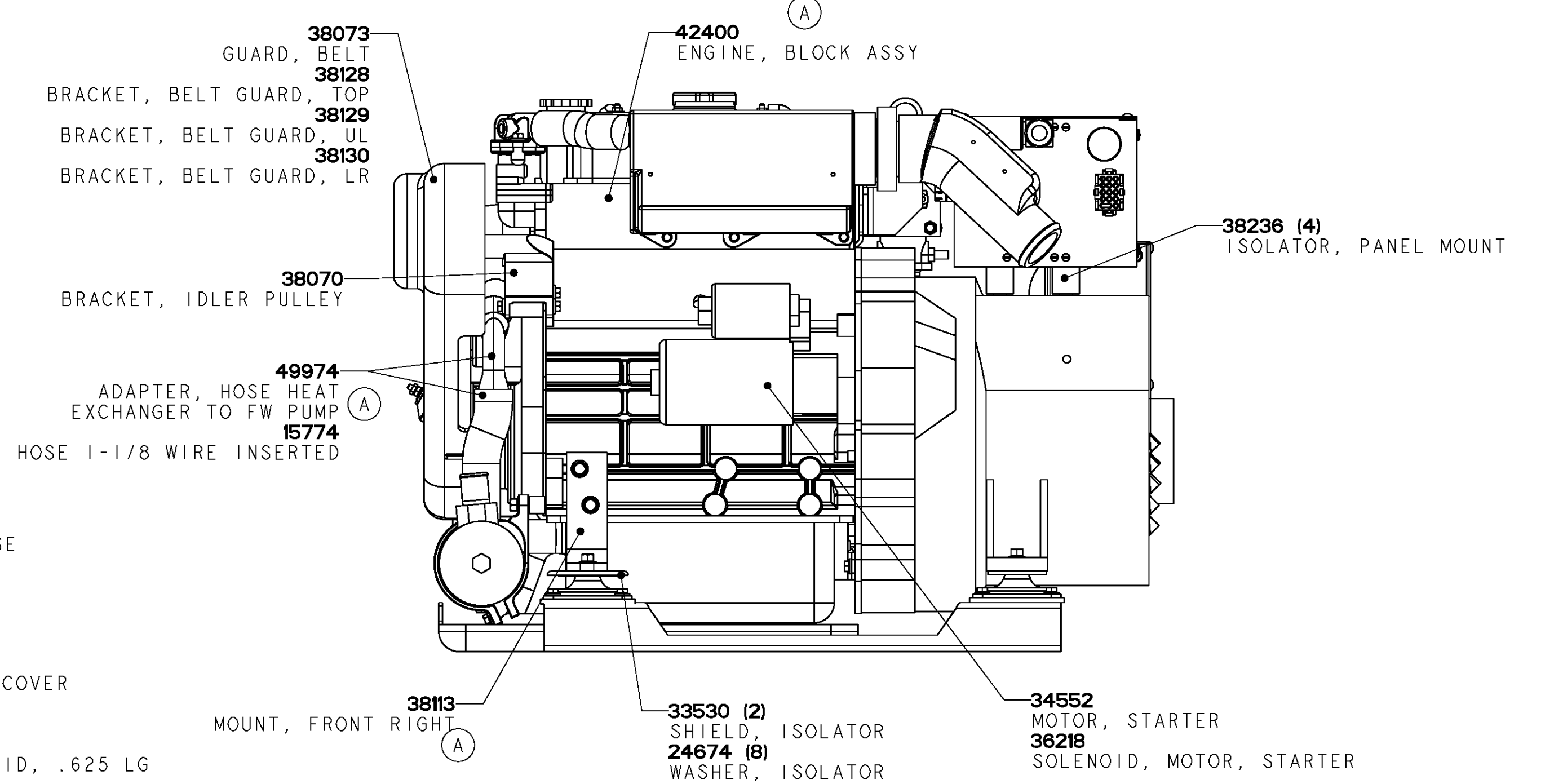
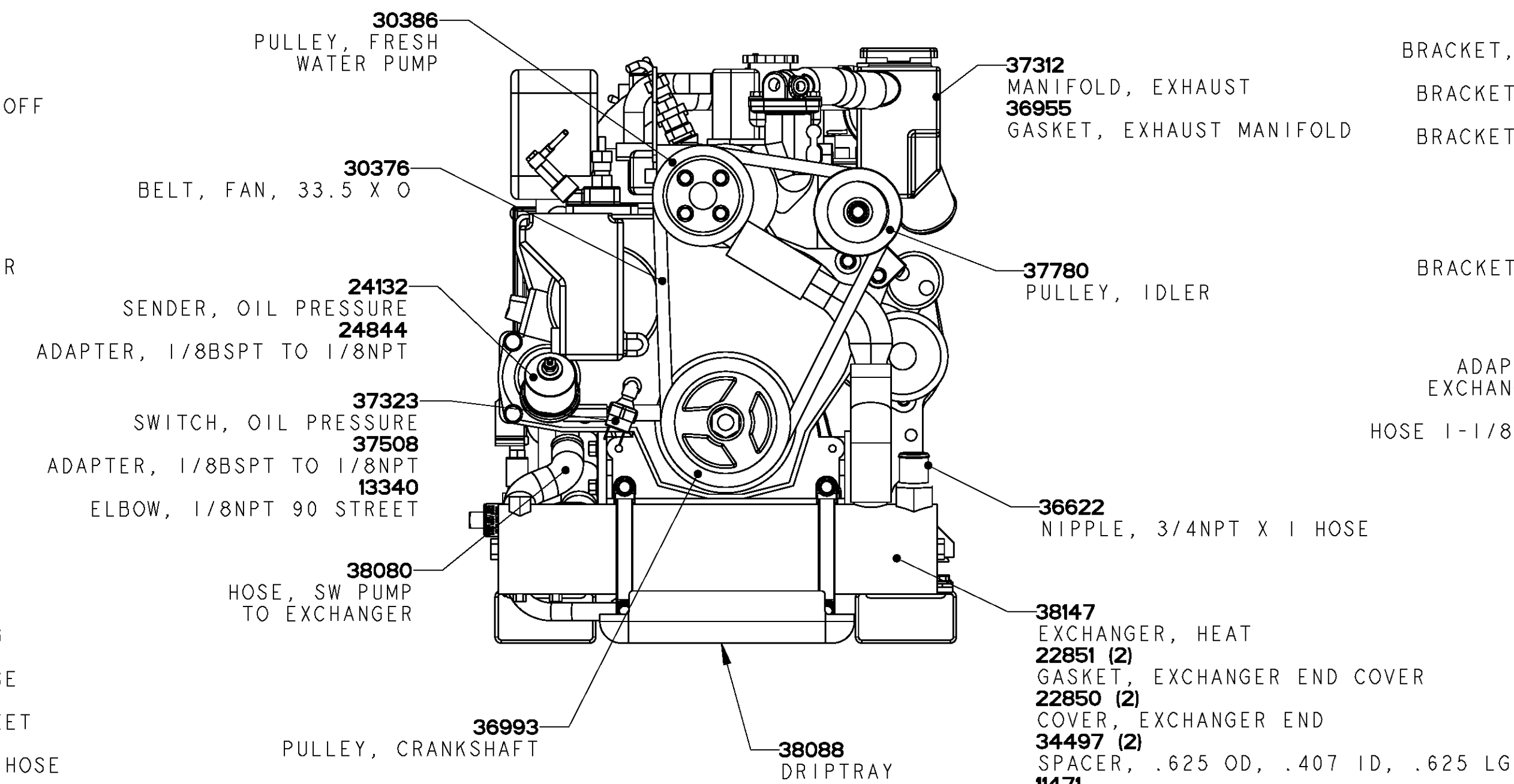
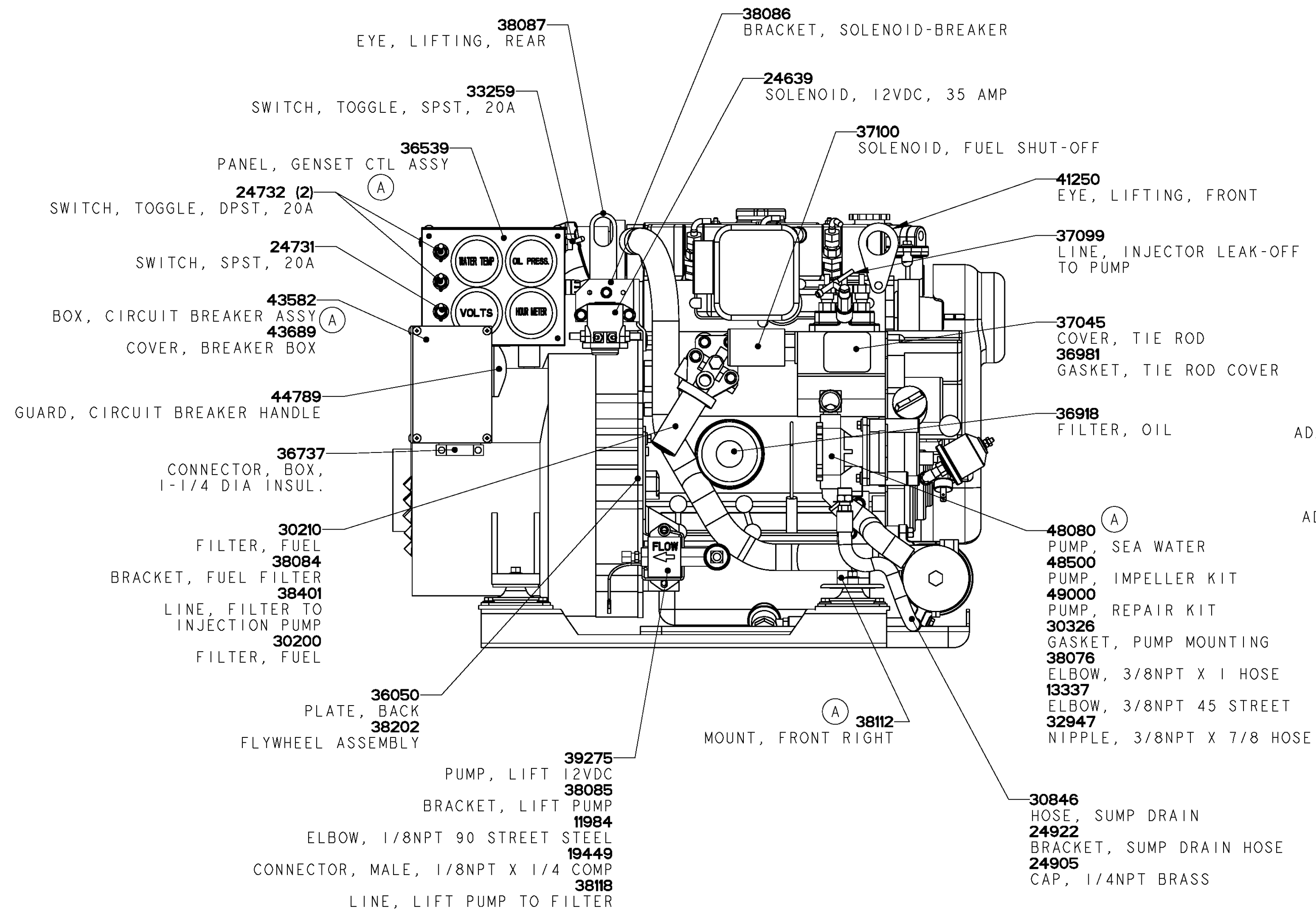


FAST MOVING PARTS			
30376	BELT, FAN, 33.5 X 0	13758	PAINT, RED AEROSOL
24306	CAP, PRESSURE	42307	PAINT, WHITE AEROSOL
35981	CHARGER, BATTERY 12VDC	36539	PANEL, GENSET CONTROL
43422	CIRCUIT BREAKER, 25 AMP	24943	PANEL, REMOTE START/STOP
45596	CIRCUIT BREAKER, 30 AMP	24732	PREHEAT & START SWITCH
41081	DIODE	37015	PUMP, FRESH WATER
37072	DIPSTICK	39275	PUMP, FUEL LIFT
30257	ELECTRONIC VOLTAGE REGULATOR	48500	PUMP, IMPELLER KIT
33259	EMERGENCY STOP SWITCH	30326	PUMP, SEA WATER MOUNTING GASKET
32923	EXHAUST TEMPERATURE SWITCH	36957	PUMP, FRESH WATER MOUNTING GASKET
30548	FILTER, ELECTRIC LIFT	49000	PUMP, SEA WATER REPAIR KIT
30200	FILTER, FUEL OIL	48080	PUMP, SEA WATER
36918	FILTER, LUBE OIL	45050	HOSE KIT
37121	FUEL HARDWARE KIT	43649	RECTIFIER
43561	GASKET SET, COMPLETE	40078	REMOTE LUBE OIL FILTER
43560	GASKET SET, UPPER	37191	SILENCER, AIR INTAKE
36425	GASKET, EX ELBOW TO MANIFOLD	37100	SOLENOID, FUEL SHUT-OFF
43550	GASKET, HEAD	24639	SOLENOID, PREHEAT
36988	GASKET, OIL PAN	38350	SPARE PARTS KIT A
36961	GLOWPLUG	43652	SPARE PARTS KIT B
30760	HARNESS, 15 FT, EXT 8 PIN	34552	STARTER MOTOR
38147	HEAT EXCHANGER	36218	STARTER SOLENOID
22850	HEAT EXCHANGER END CAP	24731	SWITCH, STOP
22851	HEAT EXCHANGER GASKET	24977	TANK, COOLANT RECOVERY
43555	INJECTION PUMP	37043	THERMOSTAT
37091	INJECTOR	36956	THERMOSTAT MOUNTING GASKET
36935	INJECTOR NOZZLE	37007	VALVE COVER GASKET
37099	INJECTOR RETURN LINE	37605	VOLTMETER
24776	ISOLATOR, FRONT & REAR	37402	WATER INJ. EXHAUST ELBOW 45
45305	MANUAL, OPERATOR	33342	WATER INJ. EXHAUST ELBOW 90
43268	MANUAL, INSTALL MARINE ENG/GEN	37601	WATER TEMPERATURE METER
37603	OIL PRESSURE METER	35109	WATER TEMPERATURE SENDER
24132	OIL PRESSURE SENDER	39550	WATER TEMPERATURE SWITCH
37323	OIL PRESSURE SWITCH	11885	ZINC
ITEMS NOT SHOWN			
43841	HARNESS, GENSET, SRC		



TOLERANCES (UNLESS OTHERWISE NOTED)		WESTERBEKE CORPORATION TAUNTON, MA. 02780	
INCHES	MILLIMETERS	TITLE	
.XX	X ± 1.0	PARTS LIST - 4.0 BCD	
.XX	X ± .5		
CAST	.XX ± .13		
FINISH			
DIMENSIONS	APPROVED BY	DATE	MATERIAL
INCHES		04/JUN/03	
(WHEN APPLICABLE)	SCALE 0.250	SIZE	DRAWING NUMBER
	SHT. 1 OF 1	E	48506
			A